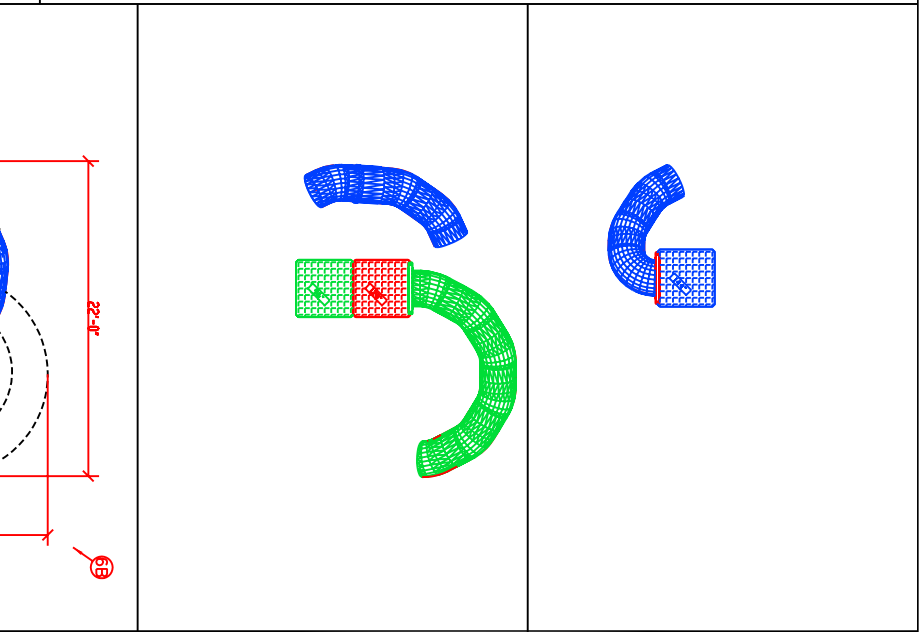
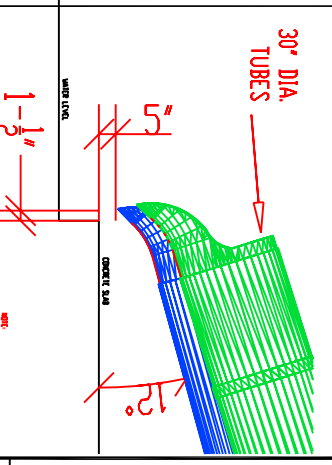


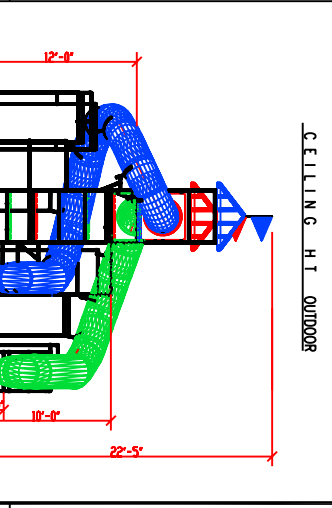
FRONT VIEW SCALE: NONE



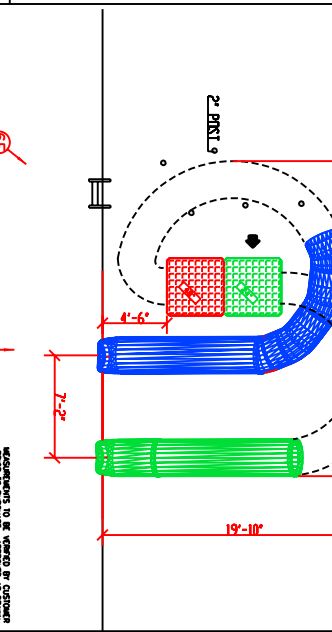
TOP VIEW SCALE: 1/4" = 1'



SLAB DETAIL SCALE: 1/8" = 1'



RIGHT VIEW SCALE: NONE



LEFT VIEW SCALE: 1/4" = 1'

SEE SECTION 5 FOR TUBES IN SLAB. TUBES TO BE OFFSET TO CENTERLINE OF SLAB.

5

4

6

3

2

1