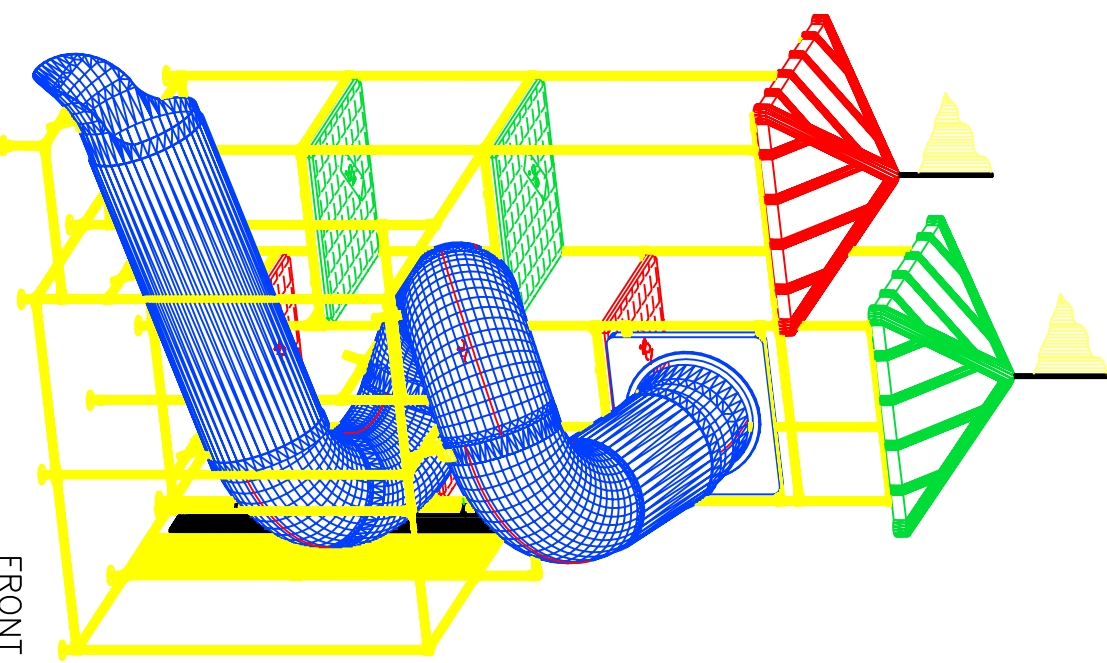
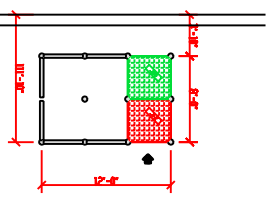


BACK



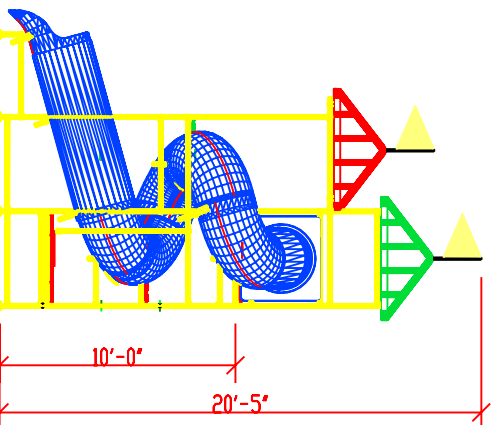
FRONT

ROYAL BLUE SLIDE = 29'
 PIPE TO BE ALUMINUM
 FOAM TO BE YELLOW



NOTE:
 OBJECTS SHOULD BE RECESSED 2"
 FROM THE SURFACE OF THE MATS
 TO PREVENT TRIPPING.
 RECESS SLAB TOP SHOULD BE RECESSED 2"
 FROM THE SURFACE OF THE MATS
 TO PREVENT TRIPPING.
 RECESS SLAB TOP SHOULD BE RECESSED 2"
 FROM THE SURFACE OF THE MATS
 TO PREVENT TRIPPING.

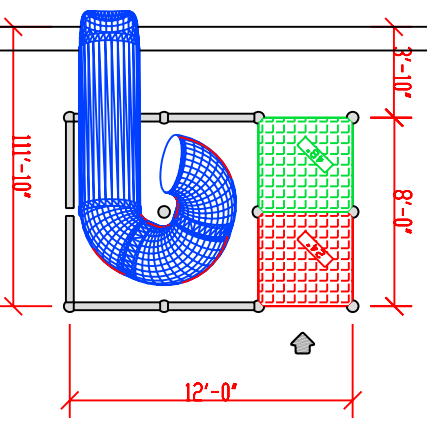
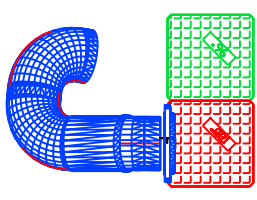
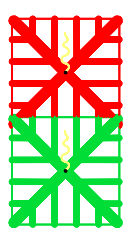
5 SLAB DEPTH 1/8" = 1'



6 PURSUECHTYE >HEMS

SCALE: NONE

4 SCALE: NONE



MEASUREMENTS TO BE VERIFIED BY CUSTOMER
 AND SITE PREPARATION NOTES ARE TO BE
 REVIEWED PRIOR TO PURCHASE. I.E. APPROVED AS DRAWN.

1 SCALE: 3/16" = 1'

2 SCALE: 1/4" = 1'

3 SCALE: 1/4" = 1'