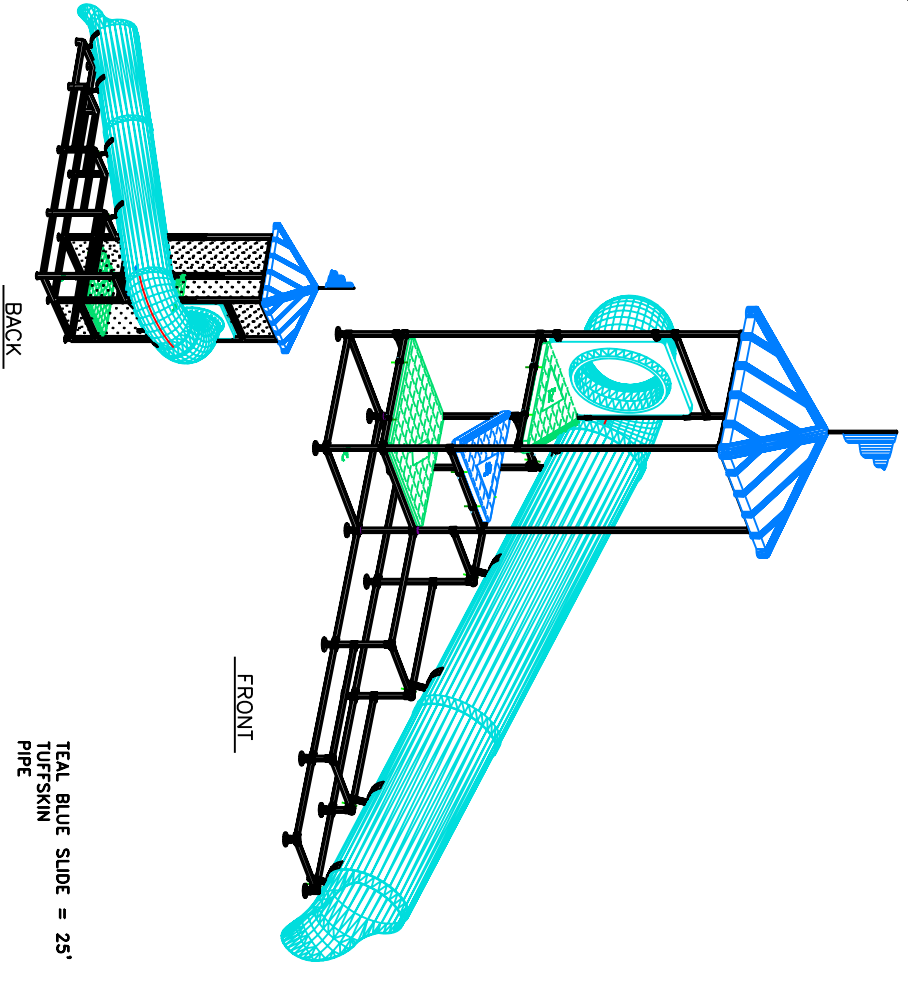


PERSPECTIVE VIEWS



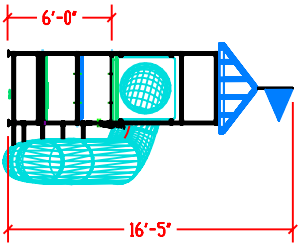
SCALE: NONE

5

FRONT VIEW

SCALE: NONE

4



THIRD LEVEL

SCALE: 1/4" = 1'

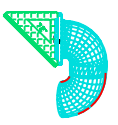
3



SECOND LEVEL

SCALE: 1/4" = 1'

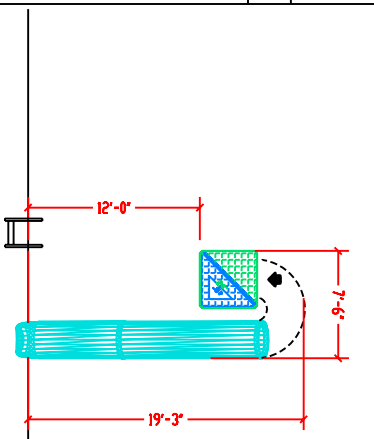
2



FIRST LEVEL

SCALE: 1/4" = 1'

1



ADJUSTMENTS TO BE MADE BY CUSTOMER
AND NOT THE MANUFACTURER'S RESPONSIBILITY.

3A

4

SLAB DETAIL

SCALE: 1/8" = 1'

5

NOTE: SLAB FOR TOWER IS 12" THICK
AND FOR SLIDE IS 18" THICK. ALL
DIMENSIONS ARE TO FACE UNLESS
NOTED OTHERWISE. SEE DRAWING
FOR MORE DETAILS.