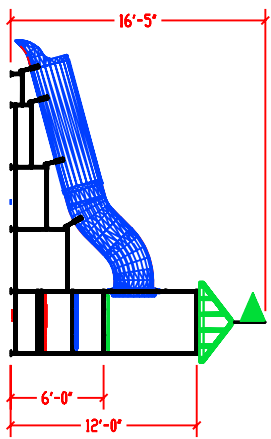
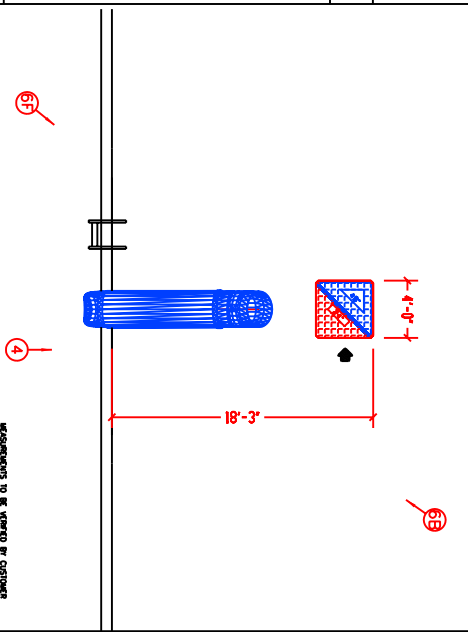


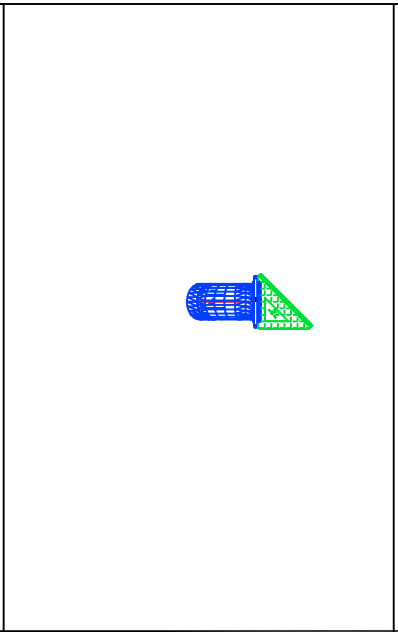
5 LAB DETAIL SCALE: 1/8" = 1'



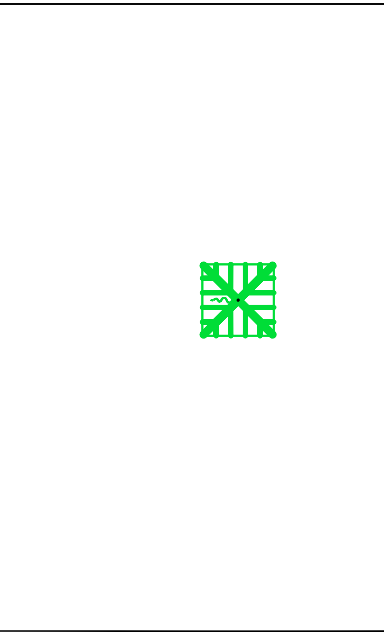
4 FRONT VIEW SCALE: NONE



1 FRONT VIEW SCALE: 1/4" = 1'



2 SIDE VIEW SCALE: 1/4" = 1'



3 TOP VIEW SCALE: 1/4" = 1'

NOTE: SLIDE AND TUFFSKIN PIPE ARE TO BE ORDERED FROM THE MANUFACTURER. THE TUFFSKIN PIPE IS TO BE ORDERED FROM THE MANUFACTURER. THE TUFFSKIN PIPE IS TO BE ORDERED FROM THE MANUFACTURER.

ADJUSTMENTS TO BE MADE BY CUSTOMER. REFER TO THE TUFFSKIN PIPE INSTRUCTIONS FOR MORE INFORMATION.

ADJUSTMENTS TO BE MADE BY CUSTOMER. REFER TO THE TUFFSKIN PIPE INSTRUCTIONS FOR MORE INFORMATION.